

TPC-8121

Feature

- CPU: Intel® Core™ I5-8250U
- RAM: 16GB DDR4
- Display: 12.1" 1280*800, 400nits
- Level of protection: IP69K
- Stainless steel casing
- Operating temp.: -20° C ~ +50° C



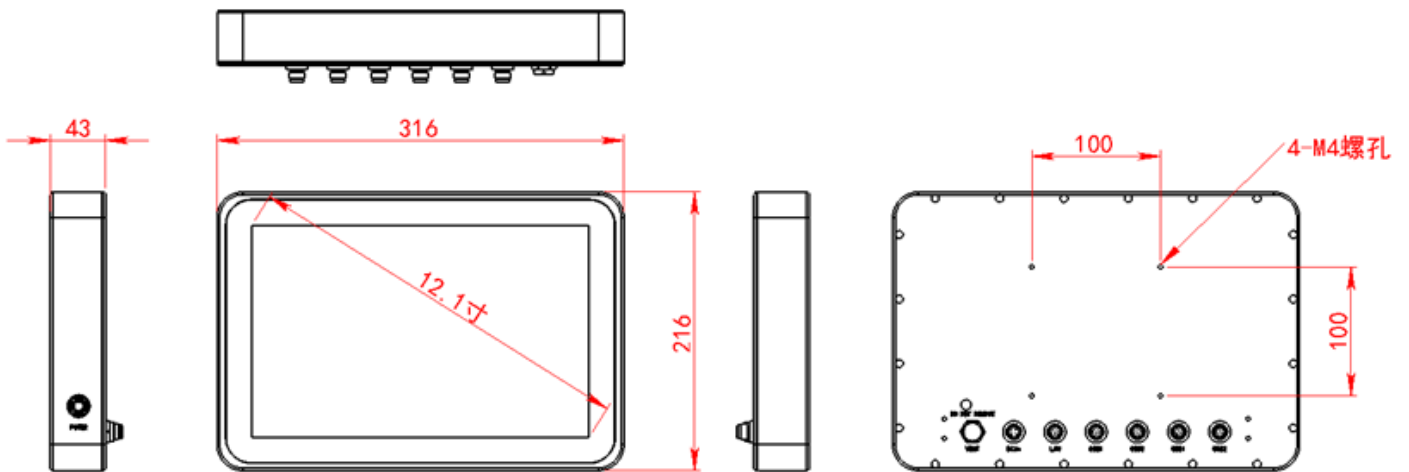
Introduction

The product is equipped with a Core™ I5-8250U processor, comes with 16GB of default memory (up to 32GB supported), and is paired with a 256GB SSD. It features a 12.1-inch display with a resolution of 1280*800 and a multi-touch capacitive screen. The machine is made of stainless steel and uses an M12 connector, meeting the IP66 protection standard. It operates within a wide temperature range of -20°C to +50°C.

Technical Specification

System	CPU	Intel® Core™ I5-8250U
	Dominant frequency	1.6GHz
	Number of core threads	4 cores 8 threads
	Memory	16GB DDR4 2133MHz, up to 32GB
	Storage	mSATA 256GB SSD
	Display	12.1" , 1280*800, 400cd/m ²
	Touch screen	Multi-point capacitive touch screen
	Material of the casing	316 stainless steel
	Power supply	Input: 100~240VAC 50~60Hz Output: 12VDC 5A
	I/O interface (M12)	1 x DC in (9~35V) 2 x RS232 (three-wire) 2 x USB (2*USB2.0) 1 x LAN
OS	OS	Supports Windows 10 64bit
Mounting	Mounting type	VESA 4*M4 100x100mm
Weight / Dimensions	Net Weight / Dimensions	5.64kg / 316x216x43mm
Level of protection	Level of protection	IP69K
Environmental suitability	Oper. Temp.	-20°C ~ +50°C
	Storage Temp.	-30°C ~ +70°C
	Oper. humidity	10% ~ 95% Non-condensation

Dimension



Over View

