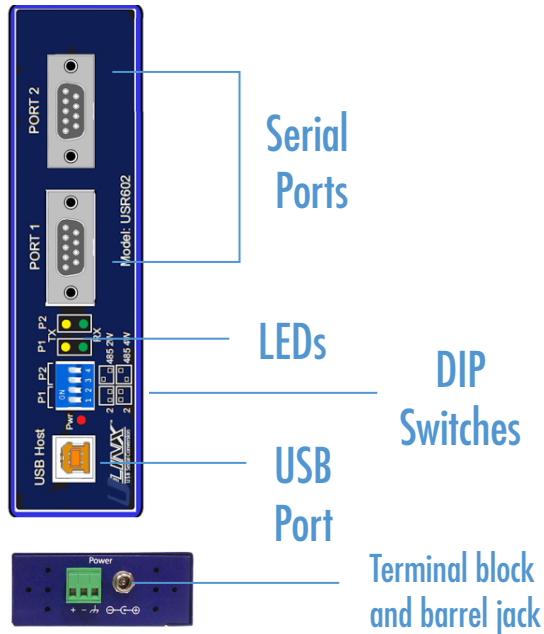


Product Overview



1 Install the Drivers

To prevent installation errors, do not plug in the hardware until you have already installed the drivers.

Use the included CD to install the converter's drivers in the attached PC.

2 Set DIP Switches

DIP Switches	SW#	RS-232	RS-422	RS-485 4-Wire	RS-485 2-Wire
Port 1	1	Off	ON	Off	ON
	2	Off	ON	ON	Off
Port 2	3	Off	ON	Off	ON
	4	Off	ON	ON	Off

3 Power the Converter

The USB602 can run on 5 V USB power if the host port is providing 500 mA. It can also be powered via the terminal block or barrel jack port.

4 Connect the Converter

When you connect the converter to the host computer's USB port the Found New Hardware wizard will open. It will discover and install the USB device. Then it will discover and install each serial port. Allow Windows to install the converter "Automatically." There is no need to connect to the Internet or Windows Update.

If a popup window says the software has not passed Windows logo testing, that's OK. Just click on "Continue Anyway."

When the wizard is complete the serial ports on the converter will appear in Windows Device Manager as new COM ports.

5 Configure the Serial Ports

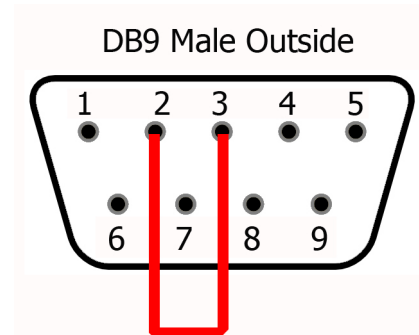
Open Control Panel. Click "System" to open the Device Manager. Under "Ports," double-click the port to be configured.

On the "Serial Port Properties" window, set the required communications parameters for the system with which you are communicating. If necessary,

click Advanced and set up the Advanced Properties. (Refer to manual for more information.)

6 Loopback Test

Set the converter to RS-232 mode using the DIP switches. Loopback pins 2 and 3. Using Hyper Terminal or similar program, connect to the COM port. Set the desired baud rate. Ensure that Hyper Terminal local echo is OFF. Transmit data. If the same character string is returned, the test is good.



7 LEDs

LED Type	Indication when ON
PWR	Computer is receiving adequate voltage and current from USB or power source
TX	Serial interface is transmitting data
RX	Serial interface is receiving data

Troubleshooting

One USB port is required for each installed device. The USB port can be native to the PC or it can be a USB port on a USB hub that is connected to a PC.

The device works with USB 1.1 or 2.0 ports. But it has a maximum USB data rate of 12 Mbps.

To verify the installation you may open the Windows Device Manager. Scroll down to Ports. Expand the flyout window. You should see the new ports. If there are no exclamation points or other trouble indicators the ports are installed correctly and ready for use.

Sleep & Hibernate: Windows 7 disables USB transmit while in Sleep & Hibernate.

Terminal Block

One conductor per terminal.
Use copper wire only.
Wire size 16 to 28 AWG.
Tightening torque 5 KG -CM.
Wire temperature rating: 105 °C
(Sized for 60 °C ampacity)

Information - FCC rules

This device complies with Part 15 of the FCC rules. Operation is subject to the following two conditions:
(1) This device may not cause harmful interference.
(2) this device must accept any interference that may cause undesired operation.



Information - UL Class 1 Div 2

Suitable for use in Class 1, Division 2, Groups A, B, C and D Hazardous Locations, or Nonhazardous locations only.
WARNING - EXPLOSION HAZARD – DO NOT DISCONNECT EQUIPMENT WHILE THE CIRCUIT IS LIVE UNLESS THE AREA IS KNOWN TO BE FREE OF IGNITABLE CONCENTRATIONS.

Install in accordance with control drawing number 9340RO.

Ind. Cont. Eq.
For HAZ LOC
3HTV
E245458
Class I, Div. 2, Groups A, B, C & D
Temp. Code: T4A



Recommended Accessories

PS12VLB-INT-MED

Power Supply

http://www.bb-elec.com/product_multi_family.asp?MultiFamilyId=133&Trail=16&TrailType=Top



MDR-20-24

DIN rail mount power supply

http://www.bb-elec.com/product_multi_family.asp?MultiFamilyId=133&Trail=16&TrailType=Top



Fast, Easy Answers

- Please double check Step 7.
- You can also use your smart phone to access complete documentation on our website. Simply scan the code to the right.



B&B ELECTRONICS

1-888-948-2248 | Europe: +353 91 792444

www.bb-elec.com

707 Dayton Road | PO Box 1040 | Ottawa, IL 61350
Phone: 815-433-5100 | Fax: 815-433-5109
www.bb-elec.com | E-mail: info@bb-elec.com

© 2011 B&B Electronics Manufacturing Company

B&B ELECTRONICS

**QUICK
START
GUIDE**



USR602

Two-port USB to
Serial Converter

✓ First Things First...

Before you begin, be sure you have the following:

- USR602
- Two Meter USB Cable
- Panel mount adapters
- DIN rail mount adapter
- CD ROM with Drivers



B&B ELECTRONICS

Fast and easy on the web: www.bb-elec.com