

+ CONEL BIVIAS V2

FOR APPLICATIONS REQUIRING HIGH RELIABILITY OF CONNECTION

- COMMUNICATIONS AND TRANSPORT
- CAMERA AND SECURITY SYSTEMS
- ENERGY AND HEAT INDUSTRIES
- ENVIRONMENTAL MEASUREMENT
- GAS AND CRUDE OIL DISTRIBUTION



Concept for Critical Applications

- Two independent cellular modules, with various mobile technology
- up to 3x ETHERNET 10/100 ports with possible modes - 2-port Ethernet switch, 3-port Ethernet switch, 2x independent LAN
- Wi-Fi: AP or client mode
- GPS possibility
- RS232, RS485, RS422
- MBUS master for up to 30 slave meters
- Wireless MBUS
- I/O CNT interface including



A **B&B ELECTRONICS** Company

+ JOIN THE WIRELESS EXPERTS

PRODUCT INFORMATION

Power, Consumption, Environmental, IP cover

Power supply	10 - 30V
Consumption - Standard / Maximum	4.6 - 11W
Temperature range	-40 to +75 °C
IP cover - Standard	IP30

Mechanical

Casing	Metal
Dimensions of metal casing	42 x 87 x 148mm
Weight - Metal / Plastic	350g

Ports, LED, Antennas

ETH1, Port 1, Port 2	Ethernet 10/100
PORT 1	Ethernet 10/100, RS232, RS485, I/O, MBUS
PORT 2	RS232, RS485, MBUS, WiFi, SD card, W-MBUS
LED	GSM, WAN, DAT, PWR, CDMA, OUT, IN, USR
ANT1 + DIV 1	SMA connectors
ANT2 + DIV 2	SMA connectors
WiFi antenna - *optional	R-SMA connector
GPS antenna - *optional	SMA connector

Mobile technology (by the module)

	MAX DOWNLOAD	MAX UPLOAD
GSM/GPRS/EDGE	236,8 Kbit/s	118,4 Kbit/s
UMTS/HSPA+ & GPRS/EDGE	21,1 Mbit/s	5,76 Mbit/s
LTE & UMTS/HSPA+ & GPRS/EDGE	100 Mbit/s	50 Mbit/s
CDMA 2000 1X, EV-DO Rev. A, B, 450 MHz bands	14,7 Mbit/s	5,76 Mbit/s

Ordering Codes

	Main mobile technology	Backup mobile technology
Conel Bivias v2LH	LTE	UMTS/HSPA+
Conel Bivias v2LC	LTE	CDMA450
Conel Bivias v2LL	LTE	LTE
Conel Bivias v2HC	UMTS/HSDPA+	CDMA450

Features

Networking	DHCP, NAT/PAT, VRRP, DynDNS client, VLAN, QOS, PPPoE Bridge, Dial-in, NTP client-server, IGMP, BGP, OSPF, RIP, SMTP
VPN tunnelling	IPSec, OpenVPN, L2TP, PPTP, GRE, EasyVPN
Security	HTTPS, SSH, Firewall
Configuration	Web server, Telnet, SSH Automatic configuration from server Automatic firmware update from server Backup configuration Restore configuration Four configuration switchable profiles
Diagnostic	One CLICK report - current configuration / factory identification / system log / kernel log / eboot log / routing table SNMP protocol LED - GSM, WAN, DAT, PWR, CDMA, OUT, IN, USR, 3x ETH Network status UMTS/GPRS status DHCP status IPSec status System log Two last months statistic SMS Control
User software	Linux system open and ready for customer software modules StartUp/Down scripts Additional SW modules and ability to create you own SW module

Conel Bivias v2 is compatible with:

R-SEENET

SMART CLUSTER

R-WEBDOG

Contacts

International Sales

Westlink Commercial Park
Oranmore, Co. Galway
Ireland

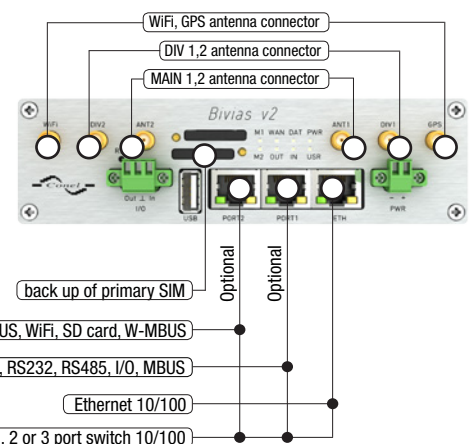
Phone: +353 91 792444
Fax: +353 91 792445
Email: eorders@bb-elec.com
Web: www.bb-elec.com

Conel s.r.o.

Sokolská 71
562 04 Ústí nad Orlicí III.
Czech Republic

Phone: +420 465 521 020
Fax: +420 464 647 299
Email: sales@conel.cz
Web: www.conel.cz

Distributor:



+ JOIN THE WIRELESS EXPERTS